



# USER'S GUIDE

**NSK**  
ELECTRONICS

A decorative graphic consisting of two horizontal lines (one blue, one orange) and two vertical lines (one blue, one orange) intersecting at the top left of the title.

# ANALOG TIMER

A decorative graphic consisting of two horizontal lines (one blue, one orange) and two vertical lines (one blue, one orange) intersecting at the bottom right of the title.



**MODES OF OPERATION**

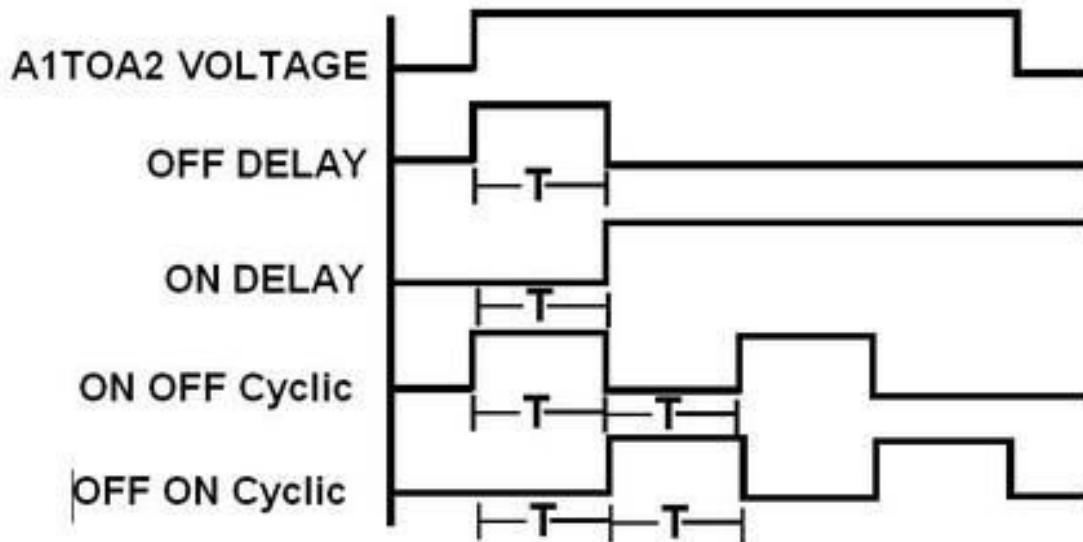
**DIP SWITCH 1&2**

1	2	
ON	ON	ON DELAY
OFF	ON	OFF DELAY
OFF	OFF	ON OFF (FLIP FLOP)
ON	OFF	OFF ON (FLIP FLOP)

**DIP SWITCH 1&2**

1	2	EUT - T1	EUT - T2
OFF	ON	.1Sec - 1Sec	1Sec - 13Sec
ON	OFF	.5Sec - 5Sec	5Sec - 13Sec
ON	ON	4Sec - 40Sec	45Sec - 413Sec
OFF	OFF	35Sec - 320Sec	365Sec - 55Min

**Timing Diagram**



**NSK**  
ELECTRONICS

POWER OF IMAGINATION

[www.nskelectronics.in](http://www.nskelectronics.in)